



12.4 GHz N LATCHING TRANSFER SWITCH

OPTIONS: INDICATOR

**R F CHARACTERISTICS**

FREQUENCY RANGE : 0 - 12.4 GHz  
 IMPEDANCE : 50 Ohms

|                 |         |         |         |         |          |
|-----------------|---------|---------|---------|---------|----------|
| FREQUENCY (GHz) | 0 - 1   | 1 - 2   | 2 - 3   | 3 - 8   | 8 - 12.4 |
| V.S.W.R <=      | 1.15    | 1.20    | 1.25    | 1.35    | 1.50     |
| INSERT. LOSS <= | 0.15 dB | 0.20 dB | 0.25 dB | 0.35 dB | 0.50 dB  |
| ISOLATION >=    | 85 dB   | 80 dB   | 75 dB   | 70 dB   | 60 dB    |
| AVER. POWER (*) | 700 W   | 500 W   | 400 W   | 250 W   | 200 W    |

**ELECTRICAL CHARACTERISTICS**

ACTUATOR : LATCHING  
 NOMINAL CURRENT AT 25° C (±10%) : 125 mA  
 ACTUATOR VOLTAGE (Vcc) : 28V (24 to 30V) /NEGATIVE COMMON  
 TERMINALS : D-sub 9 pins  
 INDICATOR RATING : 1 W / 30 V / 100 mA

**MECHANICAL CHARACTERISTICS**

CONNECTORS : N female per MIL C 39012  
 LIFE : 2.500.000 cycles  
 SWITCHING TIME (nominal voltage;25° C) : < 15 ms  
 CONSTRUCTION : splashproof  
 WEIGHT : < 215 g

**ENVIRONMENTAL CHARACTERISTICS**

OPERATING TEMPERATURE RANGE (°C) : -40 , +85  
 STORAGE TEMPERATURE RANGE (°C) : -55 , +85

(\* : average power at 25° C)

4112-9212 This information is given as an indication. In the continual goal to improve our products, we reserve the right to make any modifications judged necessary

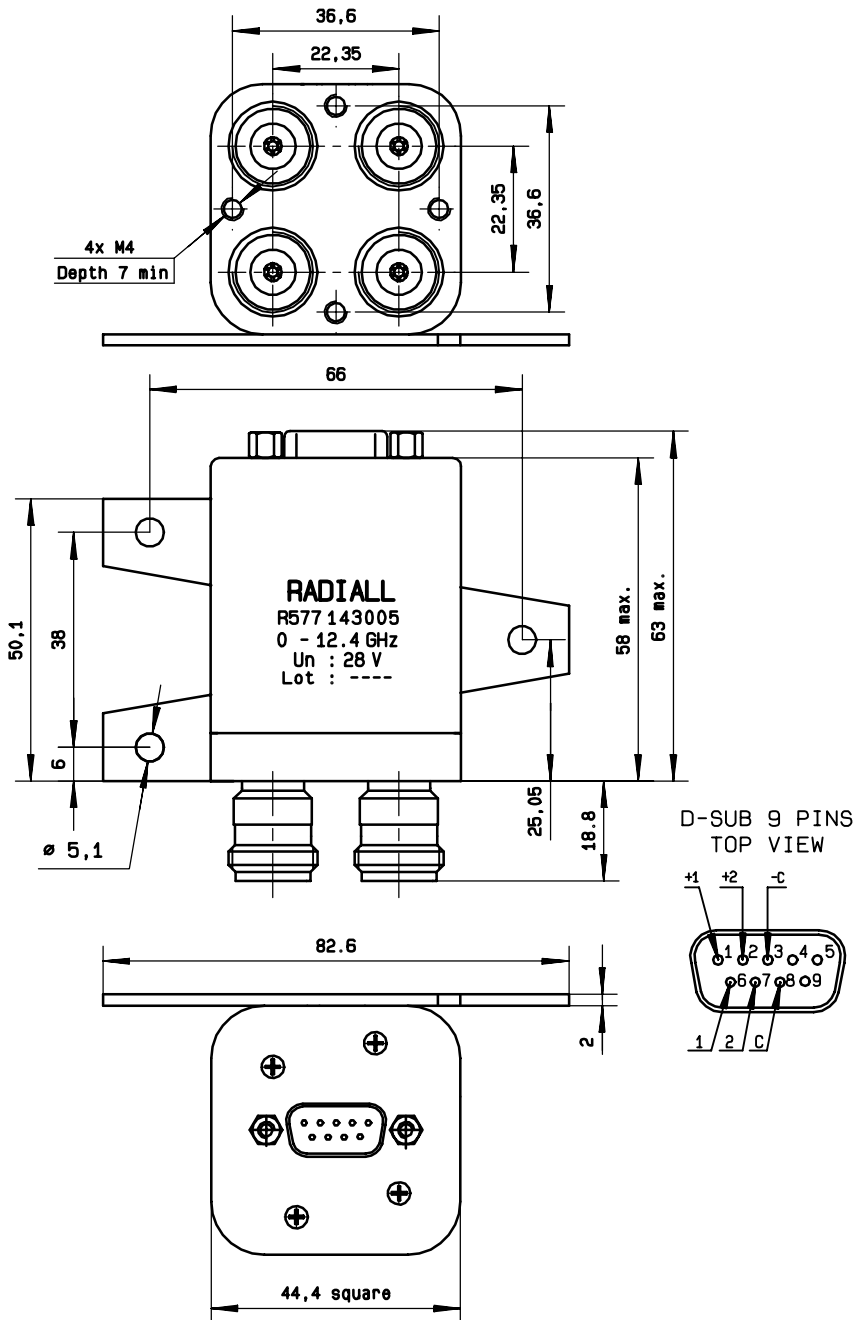
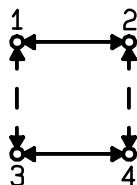
4113-9212 This information is given as an indication. In the continual goal to improve our products, we reserve the right to make any modifications judged necessary

General tolerance: ± 0,5 mm

**R577 143005**

Page  
2/2

**DRAWING**



**SCHEMATIC DIAGRAM**

| Voltage | RF continuity  | Indicator |
|---------|----------------|-----------|
| - C + 1 | 1 ↔ 3    2 ↔ 4 | C . 1     |
| - C + 2 | 1 ↔ 2    3 ↔ 4 | C . 2     |

